

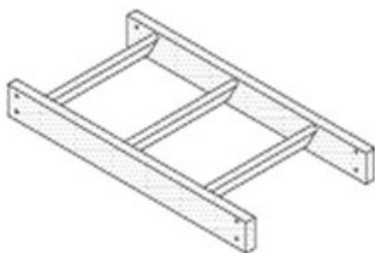
Titan Midmade

3 Part Folding Timber Loft Ladder



- 3 Section folding attic ladder - requires no headroom or storage space in the loft.
- Ladder made of solid spruce. Plastic feet included.
- Nice finish with white faced trapdoor
- Rubber draught excluder contained in casing and trapdoor with 36mm insulation prevents loss of heat and draught
- Floor to ceiling heights up to 2830mm
- 12 treads as standard
- Hidden trapdoor hinges make it easy to paint, varnish or clad the trapdoor
- Specially developed height adjustment system
- Casing and trapdoor with a rebate for extra tight closing.
- Concealed hinges plus good catch for easy opening and closing - metal rod supplied
- Easy and quick installation - completely assembled and ready to install.
- Comes complete with handrail and non-slip feet
- Opening Size required: 570 x 1150mm
- Approved to European Standard: EN14975
- Maximum working load: 150kg

Optional Extras available:



Extension Piece for heights up to 3230mm
Ref: TMM26EXT

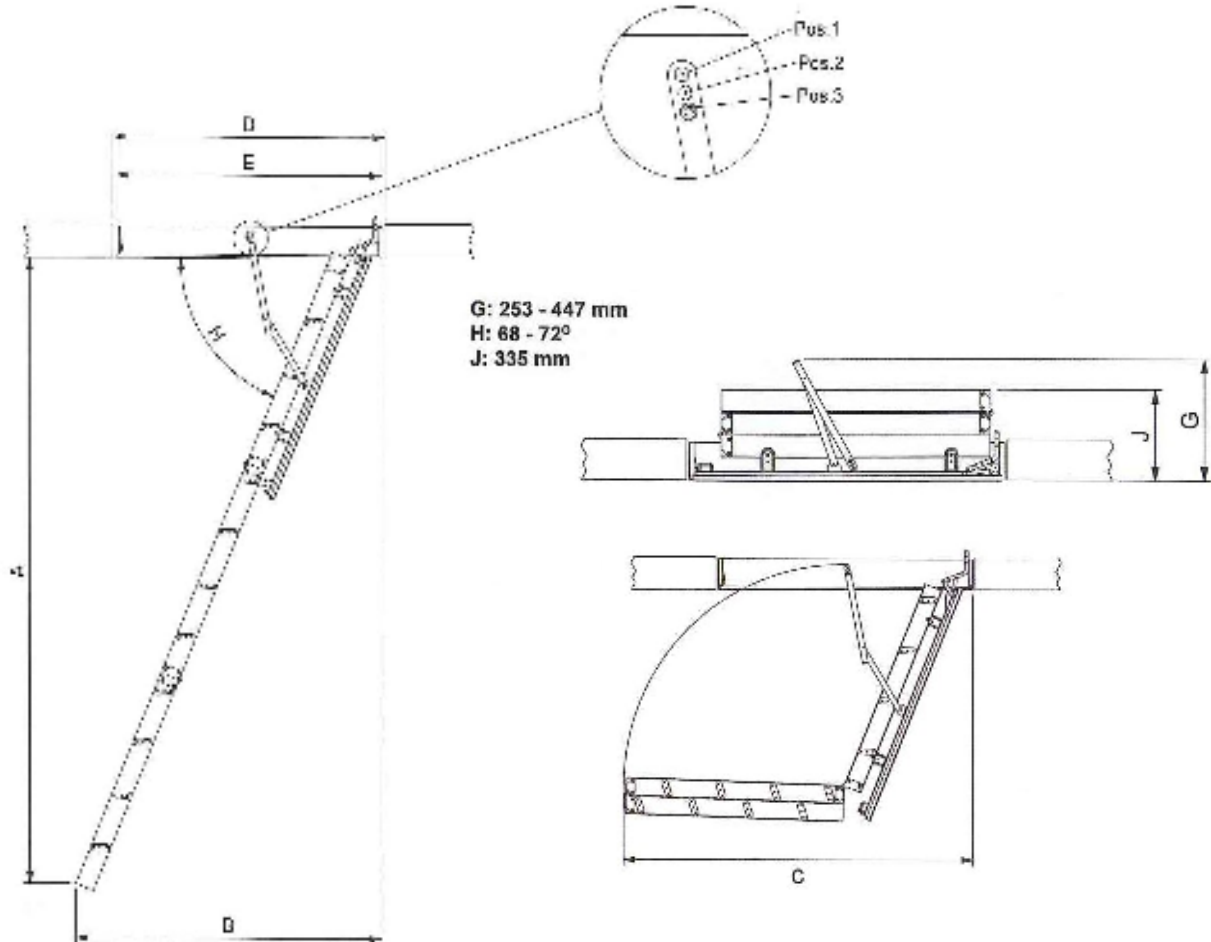


Timber Balustrade
Ref: TLB01

Browns Ladders & Ceilings Ltd
Glenway, Brierfield, Nelson, Lancashire. BB9 5NH
Tel: 01282 615517 Fax: 01282 615515
www.brownsladders.co.uk

Specification for Titan Midmade

Product Ref	Casing Size (E)	Opening Size (D)	Floor to Ceiling Height (A)	Casing Height	Number of Treads	Maximum Landing Space (B)	Maximum Swing Clearance (C)
TMM26	550mm x 1130mm	570mm x 1150mm	2830mm	14cm	12	1350mm	1620mm



Ladder

Material

Treads: Spruce

Stiles: Spruce

Width: 400mm

Distance between Treads 250mm

Tread Dimensions

Thickness: 28mm

Depth: 82mm

Stile Dimensions

Thickness: 28mm

Depth: 84mm

All treads have a non-slip surface and treads are dovetail assembled

Casing

Material: Massive Spruce

Thickness: 18mm

Height: 140mm

The lower edge of the casing is rabbet and has a draught excluder, which ensures tight closing.

Trapdoor

Material: 30mm spruce frame
30mm insulation and white masonite plates on both sides

Thickness: 36mm

Insulation: 30mm Polystyrene

Insulation coefficient: 0,90 W/m² °C