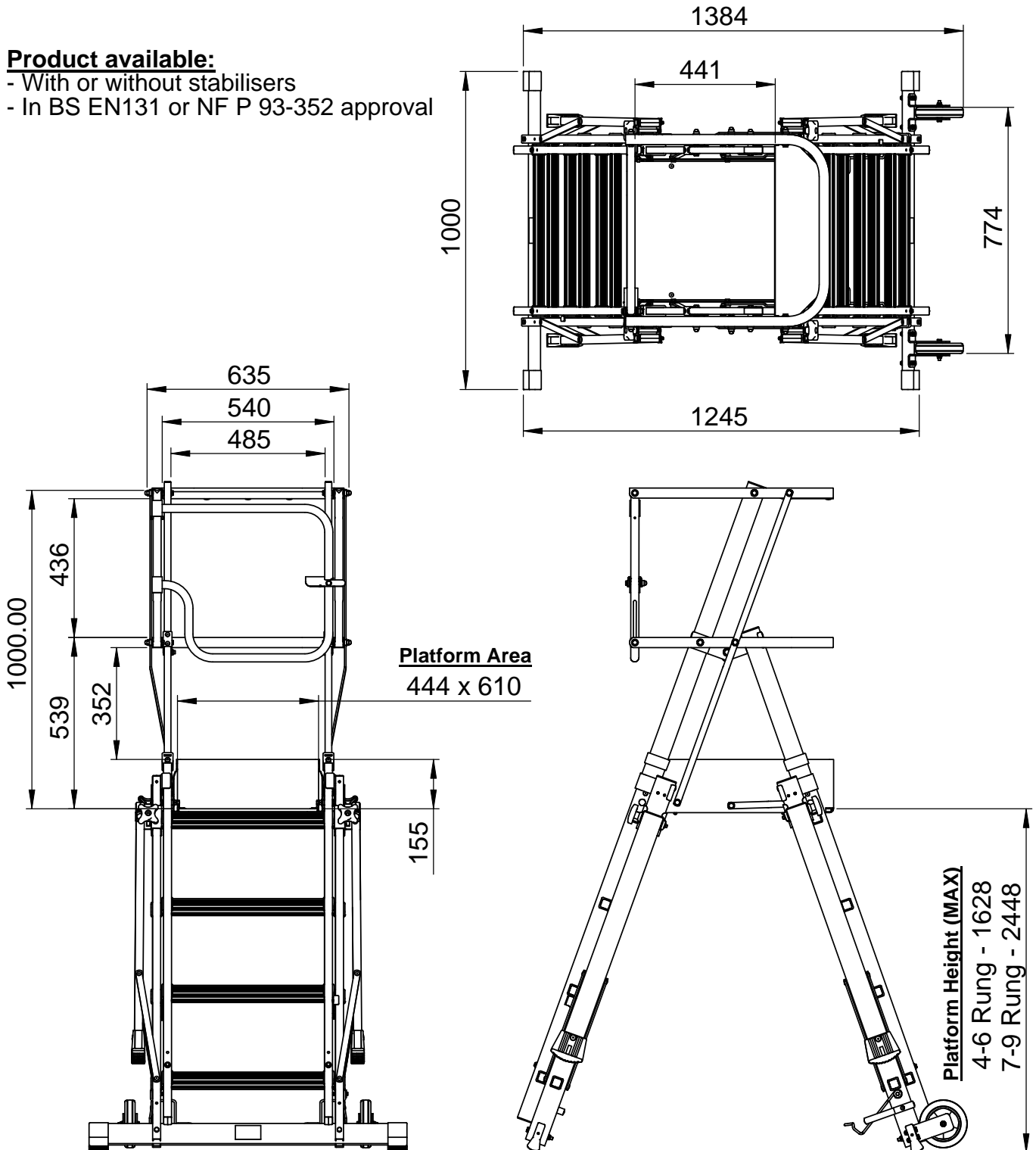


### TECHNICAL SPECIFICATION

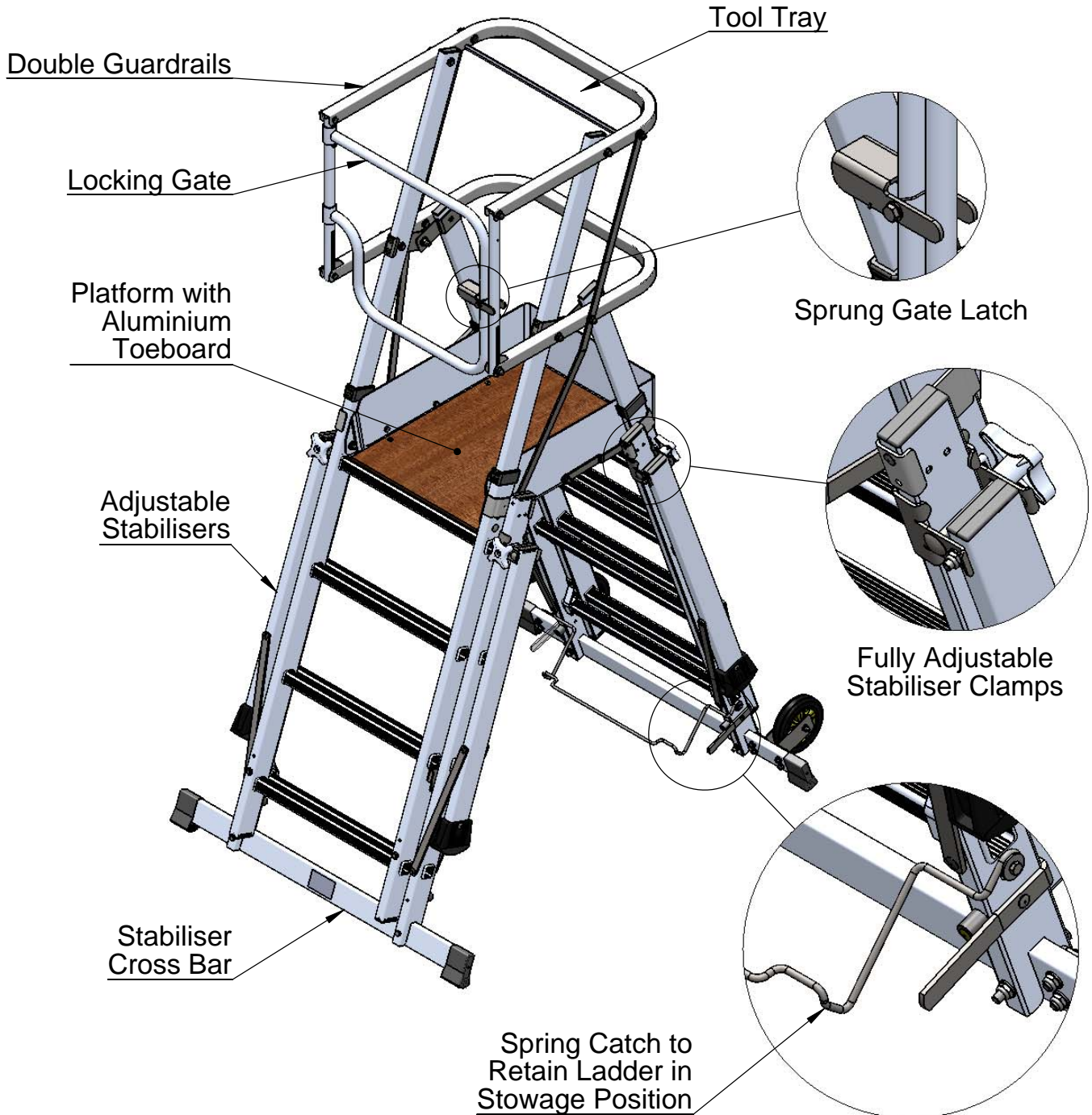
**Product available:**

- With or without stabilisers
- In BS EN131 or NF P 93-352 approval



- <b>Maximum safe working height (SWH)</b>	- 4-6 rung = 3.63m* - 7-9 rung = 4.45m*
- <b>Maximum safe working load (SWL)</b>	- 110kg (duty rating) - 150kg (maximum permissible static load)
* SWH based on maximum ladder extension plus 2.0m above the platform	

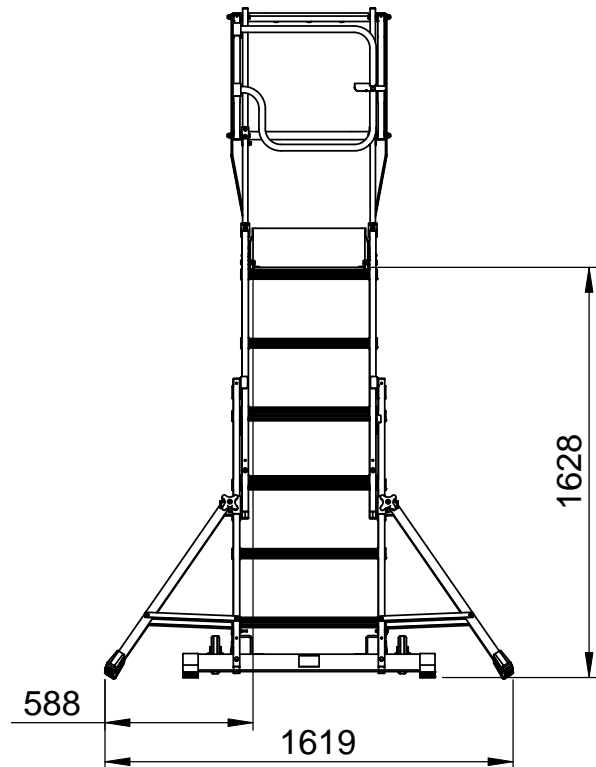
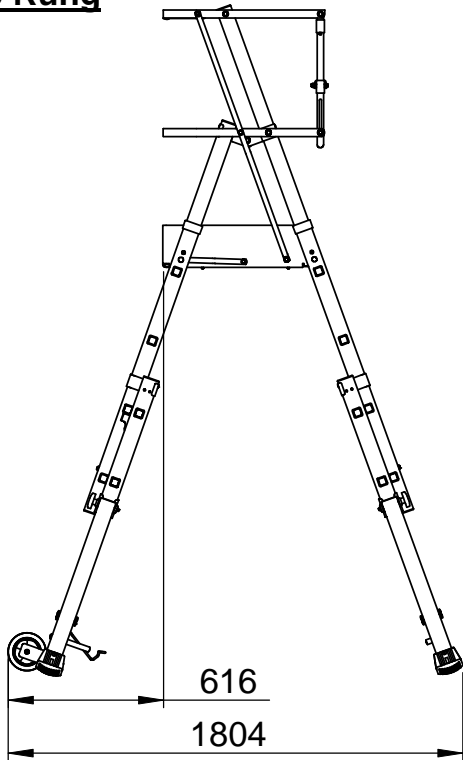
### MATERIALS



- Aluminium extrusion	Ladder stiles, stabiliser legs, stabiliser cross bar, guardrails
- Aluminium Sheet	Tool tray, deck toe board edging
- Aluminium Casting	Stabiliser palm wheels
- Pressed Steel	Gate latch, hinge bracket, stabiliser clamp, ladder guide brackets, stabiliser link bars, diagonal links, horizontal links, wheel brackets, alignment bracket and transport spring catch
- Plastic	Ladder end caps, wheels, ladder stops
- Rubber	Stabiliser overboots
- 9/10mm Wisadeck	Platform decking

### CONFIGURATION

#### 4 - 6 Rung



#### 7 - 9 Rung

